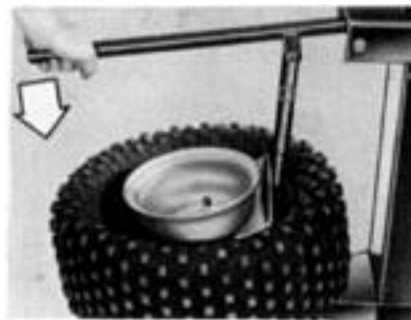


Coats 220 Tire Changer 551-00220

The COATS 220 is a simple to operate manual tire changer designed to handle all types of wheels from 8" to 23" and up to 8" wide. Designed to change Motorcycle and ATV wheels, it also works with trailers, golf carts, lawn and garden tractors and small automotive wheels. Unlike changing tires by hand, you can change tires much faster and easier with less risk of damage to expensive wheels. Designed & built in the USA to provide years of service.

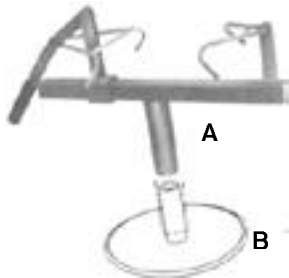
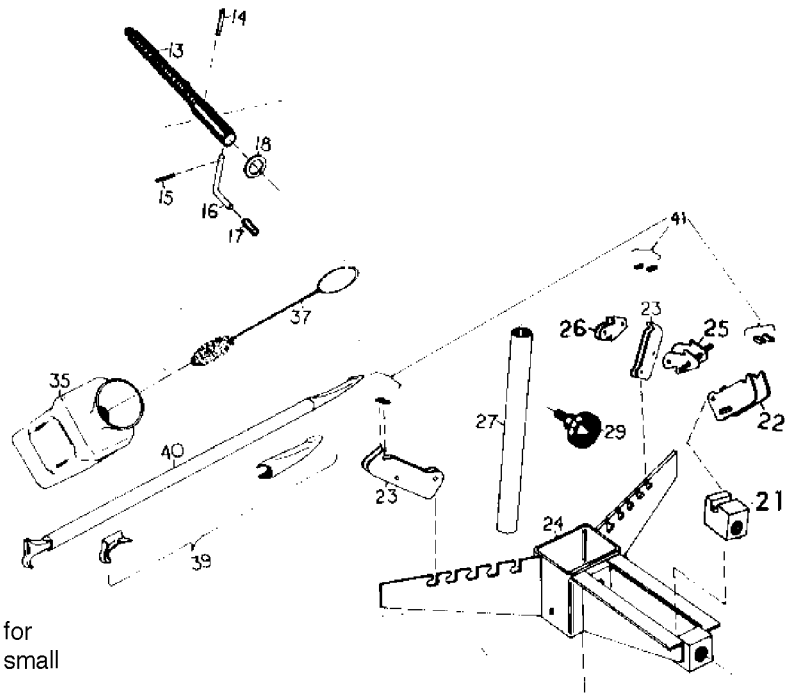
- **VERSATILE:** Handles all spoked or cast motorcycle wheels from 14" to 23" diameter, with one set of rim clamps. A second set of rim clamps services a wide variety of wheels from 8" to 17.5" diameter—such as ATV's, automotive, etc. Works with both tubeless and tube-type tires.
- **FAST:** Specially designed outside rim clamping assures positive hold down—no need to remove brake discs or sprockets. A single heavy-duty forged steel combo tool is used for tire mounting and demounting.
- **SIMPLE:** Wheel is located at a convenient working height and is easily accessible. Overhead arm assembly pivots out of the way when not needed for use with the combo tool.
- **WHEEL PROTECTION:** Replaceable plastic protectors on mount/demount combo tool and replaceable plastic clamp pads on the three rim clamps helps prevent scratching or denting of wheels.
- **BUILT-IN BEAD BREAKER:** Sturdy mechanical leverage allows quick and easy loosening of even the most stubborn motorcycle beads. (For tough ATV beads, we recommend the MC135 ATV Bead Breaker.)



REV. 06-02-08

Replacement Parts for Coats 220 Tire Changer

- 551-07043 13 - Rim clamp adjustment screw
- 551-01181 14 - Roll pin for clamp screw
- 551-01017 15 - Roll pin for screw handle
- 551-07090 16 - Handle for clamp screw
- 551-07091 17 - Grip for handle
- 551-01253 18 - Bushing for screw
- 551-07560 21 - Slotted nut for clamp
- 551-07559 22 - Adjustable rim clamp motorcycle
- 551-07158 23 - Stationary rim clamp motorcycle
- 551-07034 24 - Table top
- 551-07562 25 - Adjustable rim clamp ATC
- 551-07049 26 - Stationary rim clamp ATC
- 551-07063 27 - Vertical pivot tube
- 551-07064 29 - Locking knob
- 551-06259 35 - Lube bottle
- 551-00491 37 - Lube applicator
- 551-07423 39 - Tire iron protectors (pair)
Long Protector (only)
Short Protector (only)
- 551-08519 40 - Big tire iron
- 551-07156 41 - Rim clamp protectors (6)
ATV bead breaker kit with longer arm for
more leverage and smaller shoe to fit small
wheels.



Other accessories for the Coats Rim Tire Changer

Part #	Description
B) 551-81329	Bench Adaptor
A) 551-08028	Tire Spreader

Camel Stuff Tire Mounting Lubricant 289-12095

- 8 pound pail.
- Makes tire mounting and dismounting easier.
- Stops rubber squeaks.
- Contains rust inhibitor.
- Makes 5 gallons of lubricant when mixed with water.



RC 100 Plastic Clamp 551-83248



RC 100 Plastic Boot 551-83374



Rev. 06-02-08

Wheel Truing, Balancing Stand & Accessories

- 560-90004** Wheel Truing & Balancing Stand. Includes bearings at top of stand which roll with much less resistance than wheel bearings (no seal drag)
- 560-90003** Wheel Truing Stand Only. Does not include bearings shown at top of stand (see below)
- 560-90010** Bearing kit to convert truing stand into balancing stand
- 560-90304** Replacement wheel center for truing stand.



Super 6 Spoke Wrench 560-90002

Six of the most popular sizes all on one wrench. Extra thick for a longer bearing on the nipple flats than other wrenches. Avoids "Round Off" of nipples.



Spoke Wrenches

- Chrome-vanadium tool steel with a hard nickel pewter finish
- Square-end openings which grip the spoke nipple on all four sides
- Offset slotted ends make it easy and quick to use

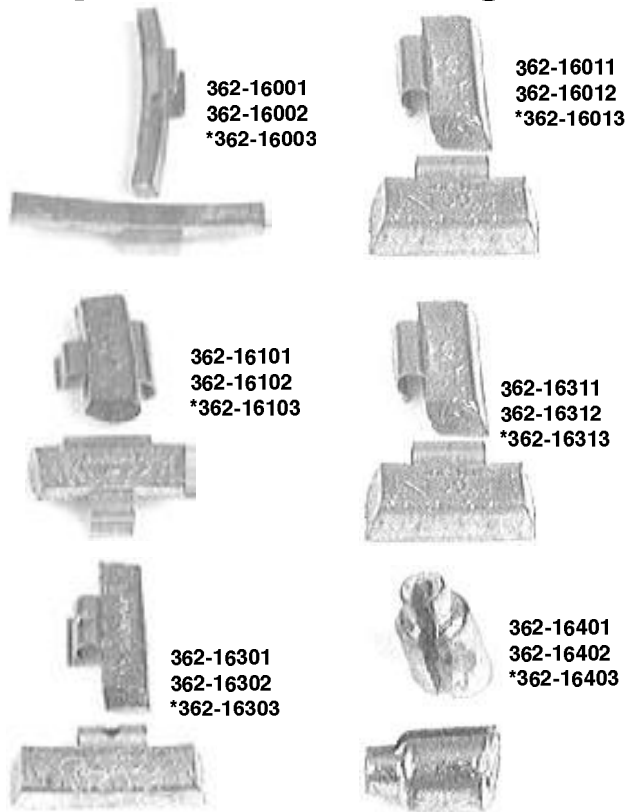
121-08133 6mm & 6.3mm

121-08157 6.5mm & 6.8mm

121-08296 5mm & 7mm



Clip-On Wheel Weights



CLIP-ON WHEEL WEIGHTS			
SOLD IN PACKS OF FIVE			
PART #	GRAMS	MAKE	O.E.M. NO.
362-16001	10g	HONDA	42705-MJ0-000
362-16002	20g	HONDA	42706-MJ0-000
362-16003	30g	HONDA	42707-MJ0-000
362-16011	10g	HONDA KAWASAKI	42705-MB0-000 41075-1011/1004
362-16012	20g	HONDA KAWASAKI	42706-MB0-000 41075-1012/1005
362-16013	30g	HONDA KAWASAKI	42707-MB0-000 41075-1013/1006
362-16101	10g	KAWASAKI	41075-1051/1014
362-16102	20g	KAWASAKI	41075-1052/1015
362-16103	30g	KAWASAKI	41075-1053/1016
362-16301	10g	YAMAHA	29L-25398-00
362-16302	20g	YAMAHA	29L-25398-10
362-16303	30g	YAMAHA	29L-25398-20
362-16311	10g	YAMAHA	1A1-25399-00
362-16312	20g	YAMAHA	1A1-25398-01
362-16313	30g	YAMAHA	2M0-25399-00
362-16401	10g	SPOKE	UNIVERSAL
362-16402	20g	SPOKE	UNIVERSAL
362-16403	30g	SPOKE	UNIVERSAL

* - this part no. shown

Adhesive Wheel Weights 121-08064

- Adhesive-backed wheel weights
- 1/4 oz. segments
- Box of 30 strips - 360 Segments total
- Strip 1/2" x 6" Long, scored every 1/2"
- Adhesive will work on spoked or cast wheels
- Ideal size for motorcycle use
- Made in the U.S.A.



121-08046

Card contains 6 strips of 12 1/4oz. segments
(72 segments total)

Standard Tape-A-Weights 560-90013

- Adhesive-backed wheel weights
- 1/2 oz. segments
- Box of 15 strips - 180 Segments total
- Strip 3/8" x 12" Long
- Adhesive will work on spoked or cast wheels
- Made in the U.S.A.



Tire Repair Tools & Accessories

Valve Core Remover 121-08183

- Allows for easy removal and installation of standard valve cores in tubed or tubeless valve stems (Schrader valve)
- Perfect tool pack accessory

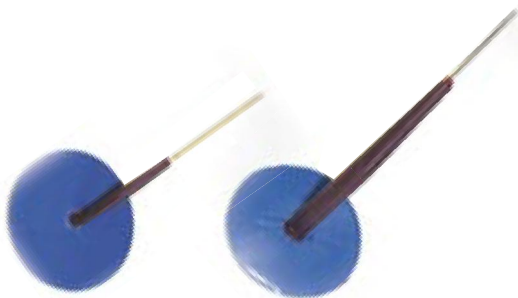


Plug-N-Patch

- Made for all tires, including steel belted radial.
- Fills the puncture. Seals the injury.
- Chemically vulcanizing.
- In some cases, no need to remove tire.
- **Sold Each**

289-15290 Sm. Reinforced. Up to 1/8" Puncture
For Box: Order 15.

289-15291 Med. Reinforced. 1/8" to 1/4" Puncture.
For Box: Order 10.



Motorcycle Engine Tire Pump 401-97600

Fits 10, 12, 14 & 18mm spark plug holes. Special valving & air intake parts ensure clean outside air pumped into tire. Kit contains 42" hose, pump & adaptors.



Angle Valve Stem 403-00945

- Fits .453" or .625" rim holes



Tubeless Snap-In Tire Valves

Conventional snap-in tire valves complete with valve core and black plastic dust cap. They are manufactured to original equipment standards. The rubber used for these valves is resistant to ozone damage. **IMPORTANT: Tires with snap-in valves should not exceed a cold inflation pressure of 60 P.S.I. Do not use in rims that exceed .156" in thickness.**

- 289-30415** 1-1/4" Valves for .625" dia. Rim Holes
- 289-30412** 7/8" Valves for .453" dia. Rim Holes
- 289-30413** 1-1/4" Valves for .453" dia. Rim Holes



289-30415



289-30412



289-30413

Bead Buddy™

No more fighting to keep the bead down while installing or repairing your off-road tires

121-08187 Off-Road

- A must for installing Bib Mousse tubes
- Used to push the tire bead down into the drop center of the rim on off-road wheels while using tire tools to change tires
- Hooks over spoke and pushes bead down on opposite side of tire from tire irons



121-08365 Supermoto

- For use on 17" x 3 1/2" to 5" wheel widths
- Used to push the tire bead down into the drop center of the rim on supermoto wheels while using tire tools to change tires
- Hooks over spoke and pushes bead down on opposite side of tire from tire irons



121-08388 T-6™ Trail

- Assists in pushing the tire bead down in the drop center of the rim during tire changes
- Machined from tough 6000 series aluminum
- Light weight and compact enough for any tool pack
- Delrin securing thumb screw keeps rims scar free
- NOT recommended for users of Bib Mousse type off-road tubes



Hex Axle Tools

- Fits internal hex on many late model sportbike axles and some dirt bikes
- Four metric hex sizes: 17, 19, 22 and 24mm
- Made in USA
- Buell: XB9R, XB9S, XB12R, XB12S (2003-2004)
- Honda: CBR600RR, CBR1000RR
- Kawasaki: ZX6R, ZX6RR, ZX600E/K, ZX7R, ZX9R, Z1000
- Suzuki: GSXR 2000-2004, DL 1000 V-Strom (all), SV1000
- Yamaha: R1, R6

121-08355 T-6™ Superlight

- Made from billet 7075 T-6™ aluminum
- Weighs only 2.5 oz.
- 3/8 in. square drive on both ends (rated for maximum 90 ft lbs torque)
- For touring and trail side use only.



121-08397 Chrome-Moly

- Heavy duty heat treated 4130 Chrome Moly construction.
- 3/8 in. square drive on both ends (rated for maximum 150 ft lbs torque)
- Recommended for shop or home use



Tire Repair Tools & Accessories

Professional Tire Pressure Gauges

- High quality liquid filled 2.5 in. dial gauge with protective rubber boot
- Accurate to plus/minus 1.5 percent of maximum gauge reading
- Blue anodized 6061 T-6 body with pressure relief valve
- High pressure hose with dual swivels and brass ball type air chuck

121-08258 2.5" 0-30 psi - MX & Off-Road

121-08259 2.5" 0-15 psi - ATV

121-08402 2.5" 0-60 psi - Street

121-08432 Glycerin Refill



Motion Pro Bead Popper 121-08439

- Designed for breaking the bead on road & off-road motorcycle tires
- Compact and lightweight (only 3.7 oz)
- Can be used with the wheel on or off the motorcycle
- Will not scratch the wheel
- Made of a durable, high-impact plastic
- Not for use on ATV tires
- Made in the U.S.A.



Wheel Bearing Remover 8 Piece Metric Set 121-08269

- 8 piece metric set includes large and small drivers, 10mm, 12mm, 15mm, 17mm, 20mm, and 25mm removers
- Dependable split collet design
- Metric sizes to allow use with metric applications
- Also available as individual components

Replacement Parts

121-08260 Large Driver Rod

121-08261 Small Driver Rod

121-08262 10mm Remover

121-08263 12mm Remover

121-08264 15mm Remover

121-08268 17mm Remover

121-08266 20mm Remover

121-08267 25mm Remover



REV. 06-02-08



8.5" Steel Tire Irons

121-08003 Sold each

121-08004 Card of 10

11.5" Steel Tire Irons

121-08005 Sold each

Enduro Pro Tire Irons

121-08051

- Hot-forged chrome-vanadium tool steel
- Designed for the professional I.S.D.E. rider
- 8.5" long, 4.5oz. with a slender curve
- Sold as pair with a custom vinyl carrying pouch



121-08049 Assortment Tire Irons

- Skin-packed kit includes Motion Pro 8.5", 11" & 16" tire irons



16" Steel Tire Tool

121-08007

- Black-finished hardened alloy steel
- Double compound curved tire tool
- Sold each



Spoon Tire Iron

- Hard nickel pewter finish
- 10" long & weighs 4.2 oz.
- Curved end fits securely in the hand

121-08115

Sold Each

121-08409

Set of 2



Rev. 06-02-08

Tire Irons

16" Tire Iron - Straight 401-27916



Rim Protectors 401-26090

- Protects your wheel from scratches and dings caused by tire changing tools
- Retrieval cords are included for easy use



Extended Rim Lock Nuts 121-11022

- Nut is made from 6061-T6 aluminum
- 12mm hex head (8mm X 1.25)
- Extra length makes removal and installation quick and easy
- Includes beveled washers to protect rims
- Gold anodized finish
- Set of 2



Rim Locks



RIM LOCKS	EMGO STEEL	EMGO ALUMINUM	MOTION PRO ALUM.	TIRE SIZE
RIM SIZE				
1.6"	401-26000	401-26050	121-11009	250-300 WM-1
1.85"	401-26010	401-26060	121-11010	325-350 WM-2
2.15"	401-26020	401-26070	121-11011	400-450 WM-3
2.50"			121-11017	500 + WM-4
2.75"	401-26030	401-26080		500 + WM-4

REV. 06-02-08

ATV Axle Wrench Set

121-08155 Yamaha 50mm

121-08237 Honda 41mm

121-08238 Kaw/Suz 46mm

- Sold as a set
- 121-08155 is relieved for use on the innermost nut during the torque process (cut-out allows it to pass over the jam nut)
- Made from heat-treated steel
- Includes a 1/2 in. drive slot for use with a torque wrench or breaker bar

121-08155



121-08237

121-08238



Honda MX & ATC Shock Wrench

121-08029

- Heat-treated alloy steel
- Fits Honda MX models and ATC 200/250R/350X



Honda ATC Axle Wrench

121-08028

- Heat-treated steel
- 27mm hex on one end and a 42mm hex on the other
- Fits most Honda ATC models



T-6 Combo Levers™

- Tire spoon/axle nut hex wrench
- Lightweight forged 7075 T-6™ aluminum
- Hard anodized finish
- Under 10 inches in length and weigh only 3.5 oz.
- Hex wrench sizes fit most popular motorcycle axle nuts
- Perfect fit for Motion Pro T6™ Tool Pack
- Sizes: 22mm, 24mm, 27mm, 32mm and 12/13mm for rim lock nuts (sold separately)
- Hex ends are rated for a maximum torque of 90 ft-lbs.
- Not recommended for use with Bib Mousse tubes or tire balls



121-08284 12/13 mm

121-08286 22mm

121-08287 24mm

121-08288 27mm

121-08289 32mm



The "Lip" on 121-08284 (only) is designed to push the tube into the tire to prevent tube pinching.



The hex end on 121-08284 (only), designed to work with rim lock nuts, is stepped for 12mm & 13mm.

3/8" Drive Adapters for T-6 Combo Lever™

- Allows your T-6 Combo Lever™ to be used as a 3/8 in. driver
- 3/8 in. drive male and 1/4 in. drive female for use with sockets for smaller front axles
- Lightweight billet 7075 T-6™ aluminum with chrome vanadium steel insert
- Lightening holes
- Coin knurled to facilitate turning sockets by hand
- 3/8 in. square drive is rated for a maximum torque of 90 ft-lbs.

121-08326 24mm

121-08327 27mm

121-08370 32mm



22mm 3/8" Drive Short Socket

121-08387

- Super Short (23mm high) to reduce weight
- 6 point chrome vanadium socket
- Satin Chrome Finish
- Designed for use with T-6 Combo Lever™ 3/8" Drive Adapters above
- Specifically designed to remove the front axle nut on the following applications because the lower fork leg prevents the use of 121-08286 22mm T-6 Combo Lever™: Yamaha YZ 125 98-04, YZ 250 98-04, YZ 250F 02-04, YZ 400F 98-99, YZ 426F 00-02, YZ 450F 03-04



REV. 06-02-08